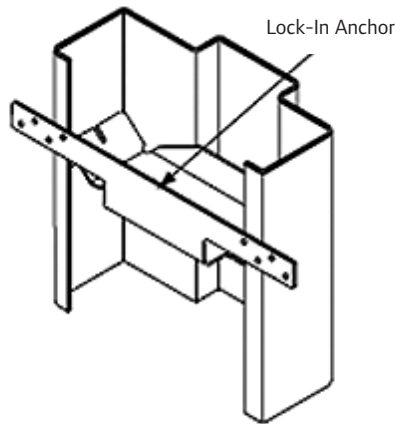
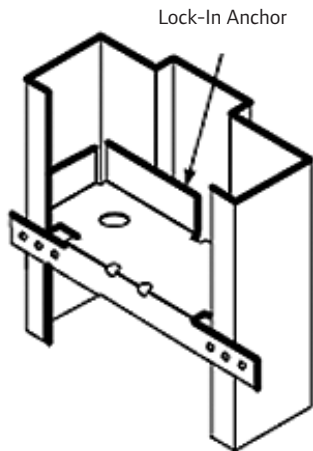


**UNIVERSAL STUD ANCHOR**



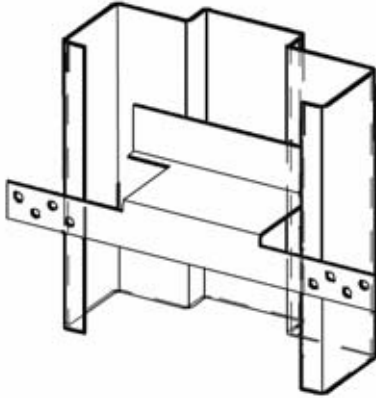
- |                              |                                                                                                |
|------------------------------|------------------------------------------------------------------------------------------------|
| 1. Material                  | 18 Ga. Galvannealed Steel                                                                      |
| 2. Supplied                  | Shipped loose for field installation                                                           |
| 3. Applicable Frame Series:  | F, MU                                                                                          |
| 4. Profile variations:       | DR – Double Rabbet (equal & unequal)<br>CO – Cased Open<br>NOTE – profile must have a backbend |
| 5. Frame depths              | 4-3/4", through 9-1/2"<br>Ordered specifically to fit frame depths                             |
| 6. Face variations           | 2" only                                                                                        |
| 7. Frame attachment:         | Lock-in                                                                                        |
| 8. Application:              | Ship loose to jobsite, field installed                                                         |
| 9. Wall construction:        | Wood stud or steel stud walls                                                                  |
| 10. Fire label applications: | UL/WH 3 hour max.                                                                              |
| 11. Base anchor              | Additional wood stud anchor used as the sill anchor                                            |

**WOOD STUD ANCHOR**



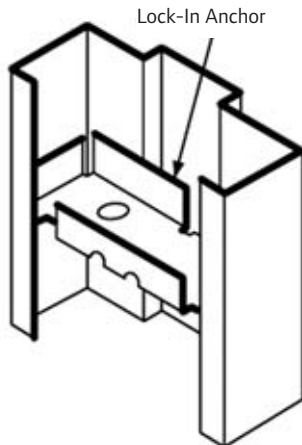
- |                              |                                                                                                |
|------------------------------|------------------------------------------------------------------------------------------------|
| 1. Material                  | 18 Ga. Galvannealed Steel                                                                      |
| 2. Supplied                  | Shipped loose for field installation                                                           |
| 3. Applicable Frame Series:  | F                                                                                              |
| 4. Profile variations:       | DR – Double Rabbet (equal & unequal)<br>CO – Cased Open<br>NOTE – profile must have a backbend |
| 5. Frame depths              | 4-3/4", 5-3/4", 6-3/4", 7-3/4", 8-3/4" - non-adjustable                                        |
| 6. Face variations           | 2" only                                                                                        |
| 7. Frame attachment:         | Lock-in                                                                                        |
| 8. Application:              | Ship loose to jobsite, field installed                                                         |
| 9. Wall construction:        | Wood stud walls                                                                                |
| 10. Fire label applications: | UL/WH 3 hour max.                                                                              |
| 11. Base anchor              | Additional wood stud anchor used as the base anchor                                            |

### WOOD STUD ANCHOR



- |                              |                                                                                              |
|------------------------------|----------------------------------------------------------------------------------------------|
| 1. Material                  | 16 Ga. Galvannealed Steel                                                                    |
| 2. Supplied                  | Welded in prior to shipment                                                                  |
| 3. Applicable Frame Series:  | F, FN, MU, FE, DE                                                                            |
| 4. Profile variations:       | DR – Double Rabbet (equal & unequal)<br>CO – Cased Open<br>NOTE – profile must have a return |
| 5. Frame depths              | All frame depths                                                                             |
| 6. Face variations           | Fits all face variations<br>Ordered specifically to fit face                                 |
| 7. Frame attachment:         | Must be welded to frame                                                                      |
| 8. Application:              | Arrives at jobsite welded into frame                                                         |
| 9. Wall construction:        | Wood stud walls                                                                              |
| 10. Fire label applications: | UL/WH 3 hour max.                                                                            |
| 11. Base anchor              | Additional wood stud anchor used as the sill anchor                                          |

### CLOSED STEEL STUD ANCHOR



- |                              |                                                                                              |
|------------------------------|----------------------------------------------------------------------------------------------|
| 1. Material                  | 18 Ga. Galvannealed Steel                                                                    |
| 2. Supplied                  | Shipped loose for field installation                                                         |
| 3. Applicable Frame Series:  | F                                                                                            |
| 4. Profile variations:       | DR – Double Rabbet (equal & unequal)<br>CO – Cased Open<br>NOTE – profile must have a return |
| 5. Frame depths              | 4-3/4", 5-3/4", 6-3/4", 7-3/4", 8-3/4" - non-adjustable                                      |
| 6. Face variations           | 2" only                                                                                      |
| 7. Frame attachment:         | Lock-in                                                                                      |
| 8. Application:              | Ship loose to jobsite, field installed                                                       |
| 9. Wall construction:        | Closed steel stud walls                                                                      |
| 10. Fire label applications: | UL/WH 3 hour max.                                                                            |
| 11. Base anchor              | See #2.4.12 for base anchor details                                                          |