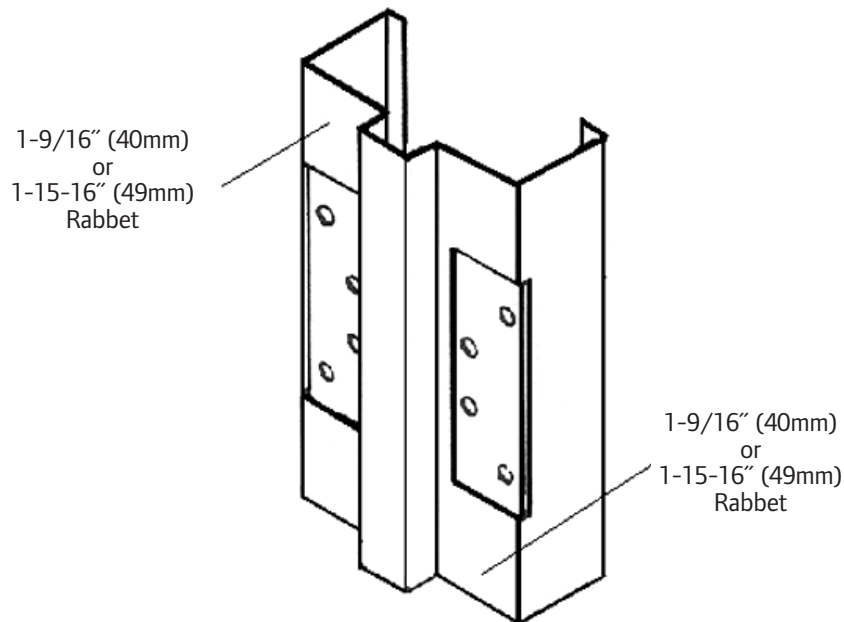


Communicating Frame

Labeled Application: • Maximum 3 hour approval in sizes up to 4' 0" x 8' 0" single doors or 8' 0" x 8' 0" pairs.
Refer to section 9 of this manual for fire rated approvals

Application: These Frames are prepared for hanging a door in each rabbet.

1. 1-15/16" (49mm) rabbets are prepared for 1-3/4" (45mm) doors
2. The 1-9/16" (40mm) rabbets are prepared for 1-3/8" (35mm) doors
3. 1-3/8" (35mm) x 1/3/4" (45mm) doors can be accommodated

These communicating frames are primarily used in the Hospitality Segment of building types to separate two (2) adjoining rooms.

Purpose: Communicating Frames provide security for both adjoining rooms: each door is locked from the occupied side of each room.

Product Availability: This frame option is available for the following Steelcraft Series of Frames:
FN16, FN14, F16, F14, MU16 and MU 14 for Singles and Pairs;
DW16, DW14, K16 and K14 for Single Swing only.

NOTE:

1. When using DW and K Series frames, doors are recommended to be hinged on opposite jambs.