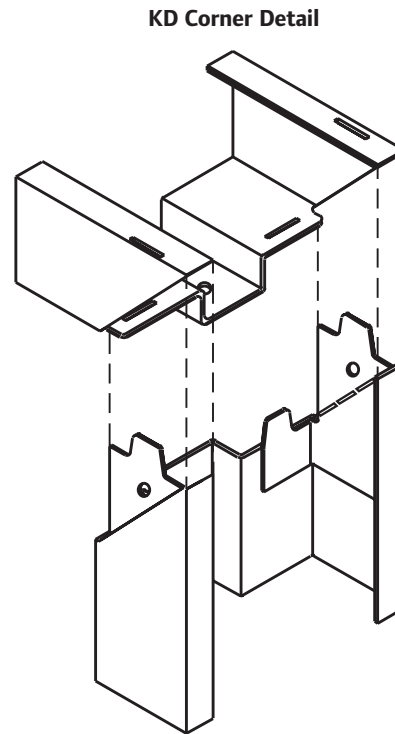
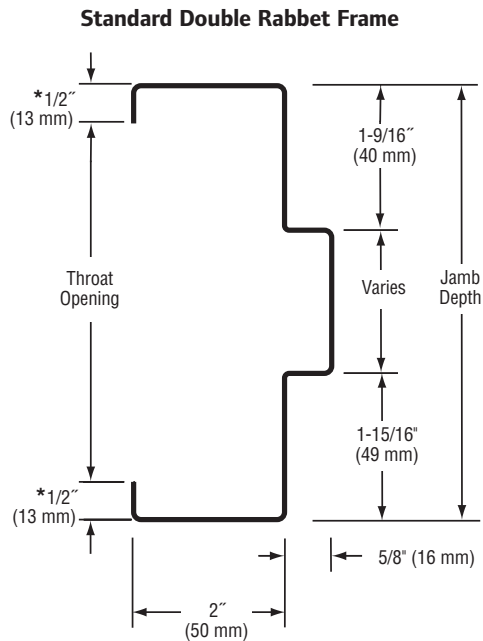
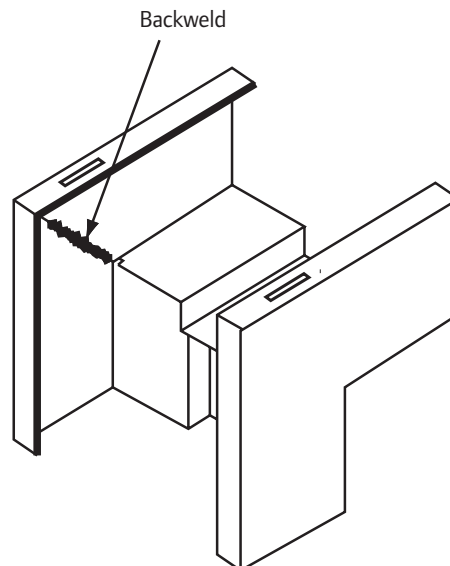


PROFILE VARIATIONS F-SERIES FRAMES



- *Backbend:** 7/16" (11 mm) for 5-3/4" Frame Depth
- Product:** F-Series Unequal Rabbet Frames
- Gage:** 16 Ga. (1.3mm), 14 Ga. (1.7mm)
- Jamb Depth:** 4 -1/2" (121mm) min. thru 20" (508mm) in 1/8" (3.2mm) increments
- Face:** Standard 2" (50mm). Non-standard 1" (25.4mm) thru 4" (102mm) in 1/8" (3.2mm) increments
- Miter:** 45° die miter with 4 interlocking tabs for welded

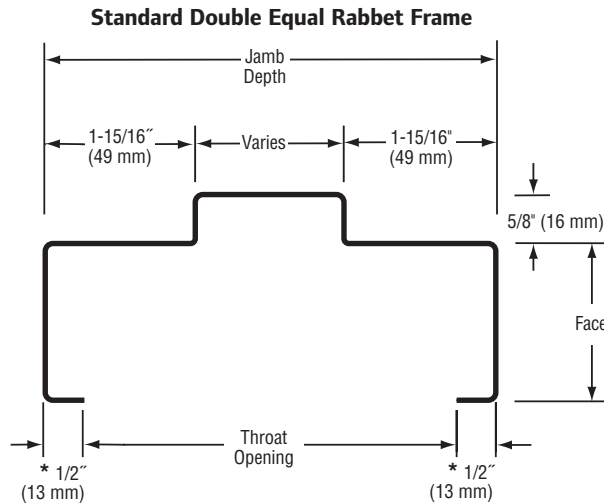
Welded Corner



NOTES:

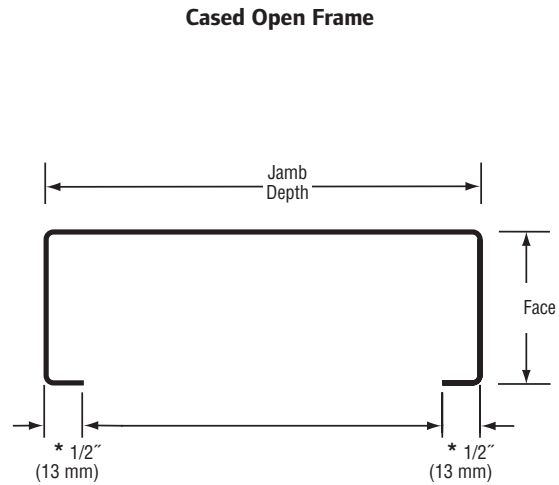
1. F-Series (2" face) and FN-Series (1" face) are available KD or welded. All other frames with custom face dimensions must be welded prior to installation.

PROFILE VARIATIONS F-SERIES FRAMES



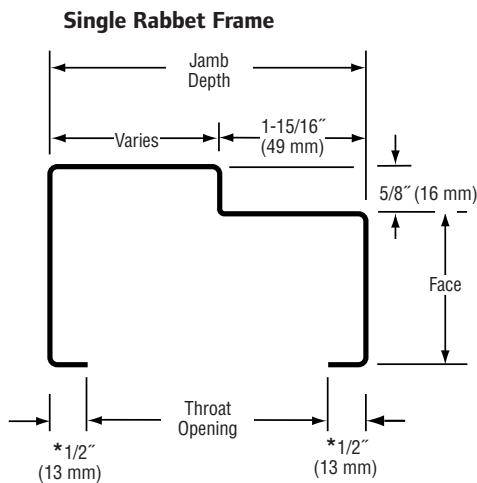
Product: F-Series Equal Rabbet Frames

- Gage: 16 Ga. (1.3mm), 14 Ga. (1.7mm)
- Jamb Depth: 4 7/8" (124mm) min. thru 20" (508mm) in 1/8" (3.2mm) increments
- Face: Standard 2" (50mm). Non-standard 1" (25.4mm) thru 4" (102mm) in 1/8" (3.2mm) increments
- *Backbend: 7/16" (11 mm) for 5-3/4" Frame Depth
- Miter: 45° die miter with 4 interlocking tabs for welded



Product: F-Series Cased Open Frames

- Gage: 16 Ga. (1.3mm), 14 Ga. (1.7mm)
- Jamb Depth: 3" (76mm) min. thru 20" (508mm) in 1/8" (3.2mm) increments
- Face: Standard 2" (50mm). Non-standard 1" (25.4mm) thru 4" (102mm) in 1/8" (3.2mm) increments
- *Backbend: 7/16" (11 mm) for 5-3/4" Frame Depth
- Miter: 45° die miter with 2 interlocking tabs for welded



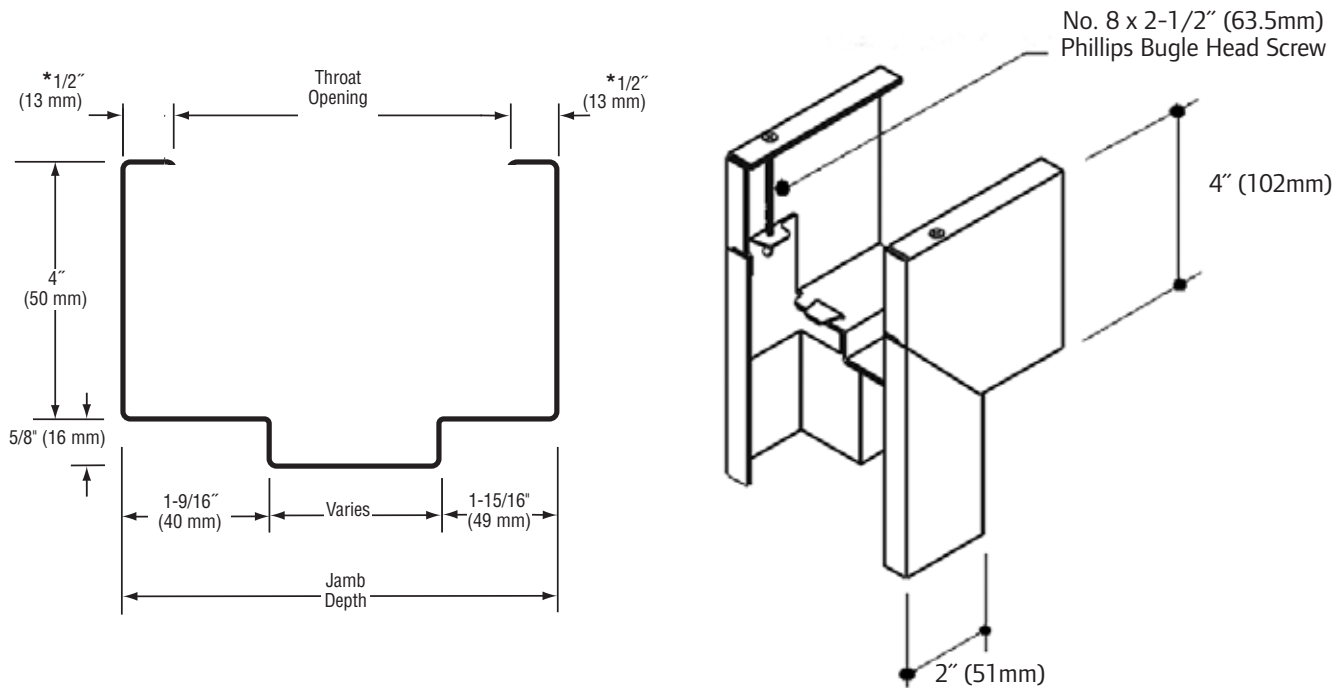
Product: Frame: F-Series Single Rabbet Frames

- Gage: 16 Ga. (1.3mm), 14 Ga. (1.7mm)
- Jamb Depth: 3" (76mm) min. thru 20" (508mm) in 1/8" (3.2mm) increments
- Face: Standard 2" (50mm). Non-standard 1" (25.4mm) thru 4" (102mm) in 1/8" (3.2mm) increments
- *Backbend: 7/16" (11 mm) for 5-3/4" Frame Depth
- Miter: 45° die miter with 2 interlocking tabs for welded

NOTES:

1. F-Series (2" face) and FN-Series (1" face) are available KD or welded. All other frames with custom face dimensions must be welded prior to installation.

4" HEAD — F-SERIES FRAMES



Product available: F16, F14

Profile variation: Unequal, equal or single rabbet, cased open

Jamb Depth: 3" through 20" in 1/8" increments

*Backbend: 7/16" (11 mm) for 5-3/4" Frame Depth

Miter: Die mitered, tabs vary with profile variations

NOTES:

1. Frames with 4" heads are used mainly in masonry applications when 2" face heads do not match block coursing.